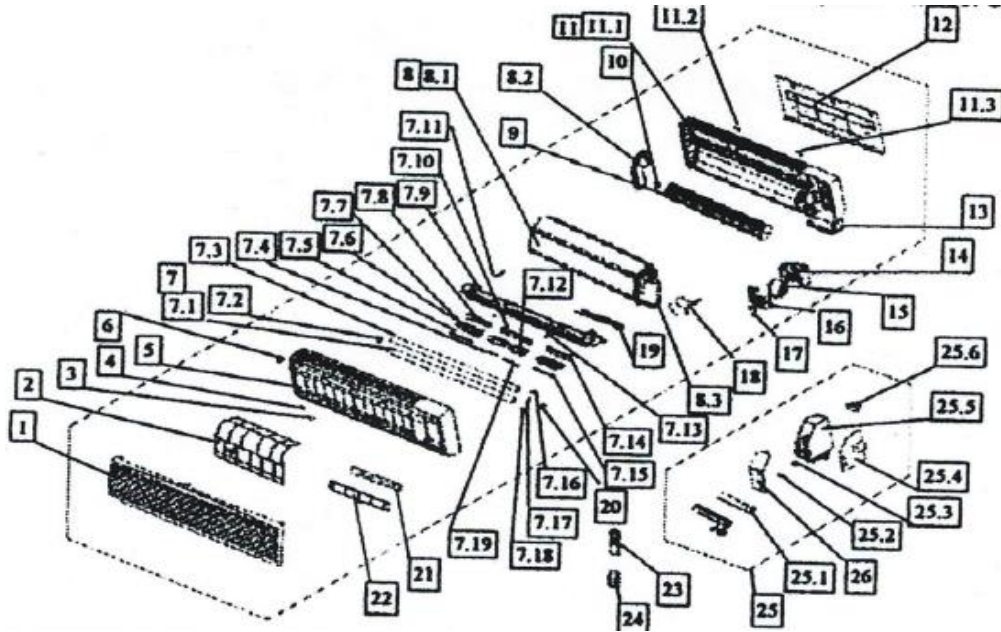


Exploded View Parts for Model: MCA24 220~230V, 60Hz

Indoor Unit

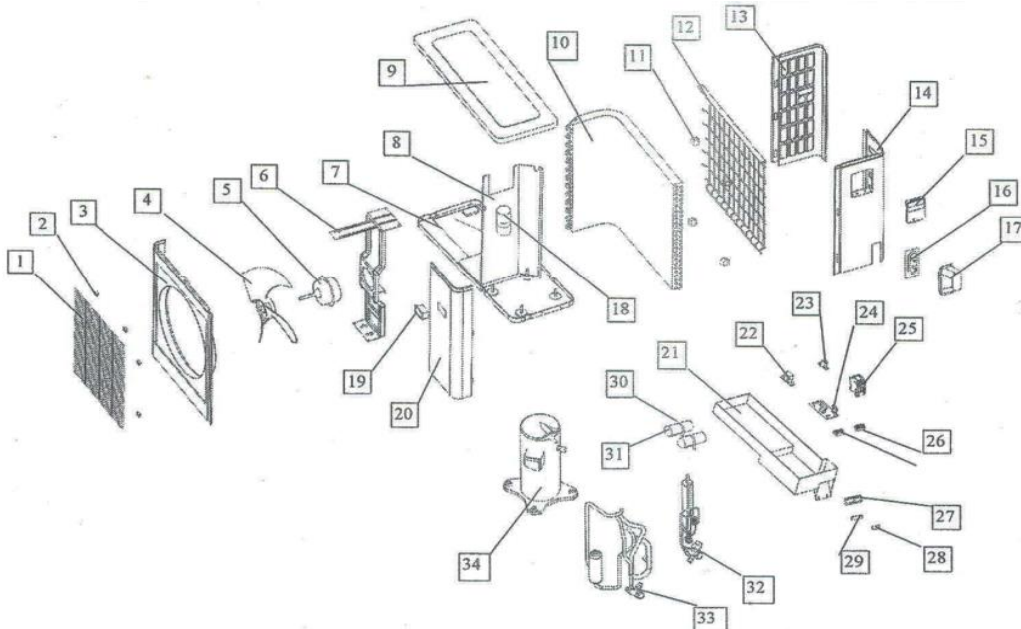


No.	Part Name	No.	Part Name
1	Front Panel	7.18	Swing Bar for Down Horizontal Louver
2	Air Filter	7.19	Louver Connector, Middle-Right
3	Screw Cap	8	Evaporator Ass'y
4	Down Clap for Panel Frame	8.1	Evaporator I
5	Panel Frame		Evaporator II
6	Up Clap for Panel Frame		Evaporator III
7	Air Out Frame Ass'y		Evaporator IV
7.1	Horizontal Louver, Down	8.2	Right Holder for Evaporator
7.2	Left Bush for Horizontal Louver		Left Holder for Evaporator
7.3	Horizontal Louver, Up	8.3	Input Pipe for Evaporator
7.4	Louver Connector, Middle-Left		Output Pipe for Evaporator
7.5	Louver Connector, Left	9	Cross Flow Fan, Ass'y
7.6	Vertical Louver, Small Size	10	Bearing Holder
7.7	Vertical Louver, Large Size	11	Chassis Ass'y
7.8	Louver Holder, Left	11.1	Chassis
7.9	Air Out Frame	11.2	Left Rear Cover for Chassis
7.10	Louver Holder, Middle	11.3	Right Rear Cover for Chassis
7.11	Stoppie	12	Installation Plate
7.12	Vertical Louver, Middle Size	13	Corner Board for Chassis
7.13	Bush	14	Base for Motor
7.14	Louver Holder, Right	15	Fan Motor
7.15	Louver Connector, Right	16	Cover for Motor
7.16	Swing Bar for Up Horizontal Louver	17	Small Cover for Motor
7.17	Connector for Horizontal Louver	18	Waterproof Board

19	Drain Hose
20	Louver Motor
21	Air Cleaner
22	Air Cleaner Holder
23	Remote Controller
24	Holder for Remote Controller
25	E-Parts Ass'y
25.1	Display Board
25.2	Wire Joint, 4p
25.3	Wire Clamp
25.4	Main Control Board
25.5	E-Parts Box
25.6	Transformer
25.7	Indoor Temp Sensor
25.8	Evaporator Temp Sensor
26	E-Part Box Cover
27	Clamp for Temp Sensor
28	Protector for Temp Sensor
29	Copper Nut, GLM-D04
30	Copper Nut, GLM-B02

Exploded View Parts for Model: MCA24 220~230V, 60Hz

Outdoor Unit



No.	Part Name	No.	Part Name
1	Front Net	25	Contactor
2	Clamp for Front Net	26	Wire Joint for Multiplexer
3	Front Clapboard	27	Wire Joint for Multiplexer
4	Propeller Fan	28	Clamp for Wiring
5	Fan Motor	29	Washer for Wire Joint
6	Holder for Fan Motor	30	Capacitor Clamp
7	Chassis	31	Compressor Capacitor
8	Separating Board	32	Liquid Pipe Valve, Ass'y
9	Cover		Liquid Pipe Valve
10	Condenser	33	Gas Pipe Valve, Ass'y
11	Underlay for Rear Net		Gas Pipe Valve, Ass'y
12	Rear Net	34	Compressor
13	Left Clapboard	35	Copper Nut, TLM-D04
14	Rear Right Clapboard	36	Copper Nut, TLM-B02
15	Big Handle		
16	Installation Plate for Valves		
17	Water Collectot		
18	Refrigerant Container		
19	Small Handle		
20	Front Right Clapboard		
21	Installation Board for E-Parts		
22	Transformer		
23	Fan Motor Capacitor		
24	Main Controll Board		