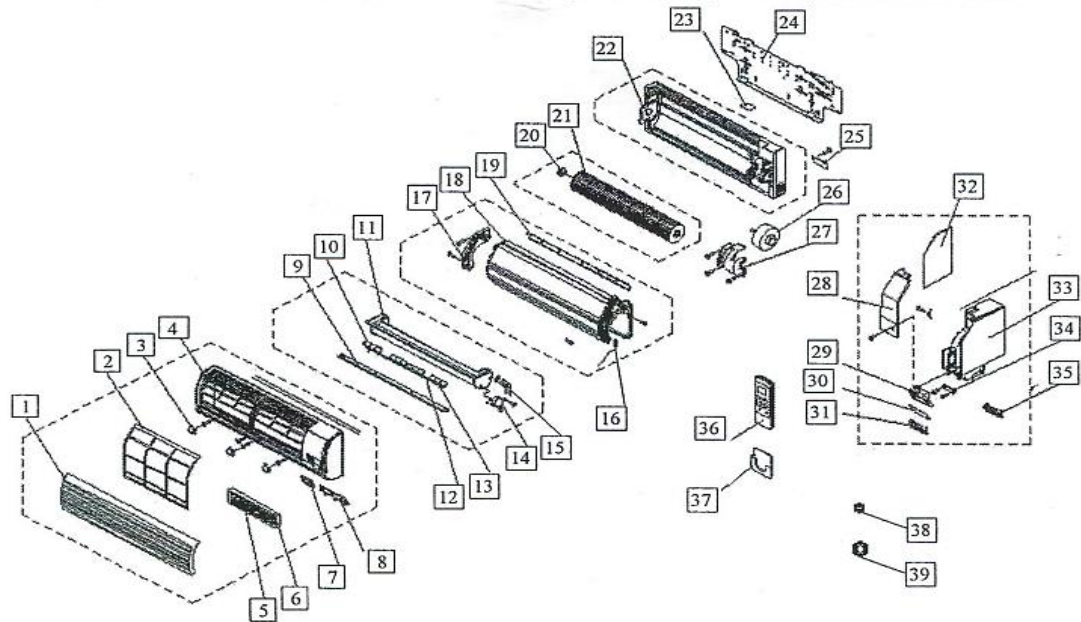


Exploded View Parts for Model: MCL09 115V, 60Hz

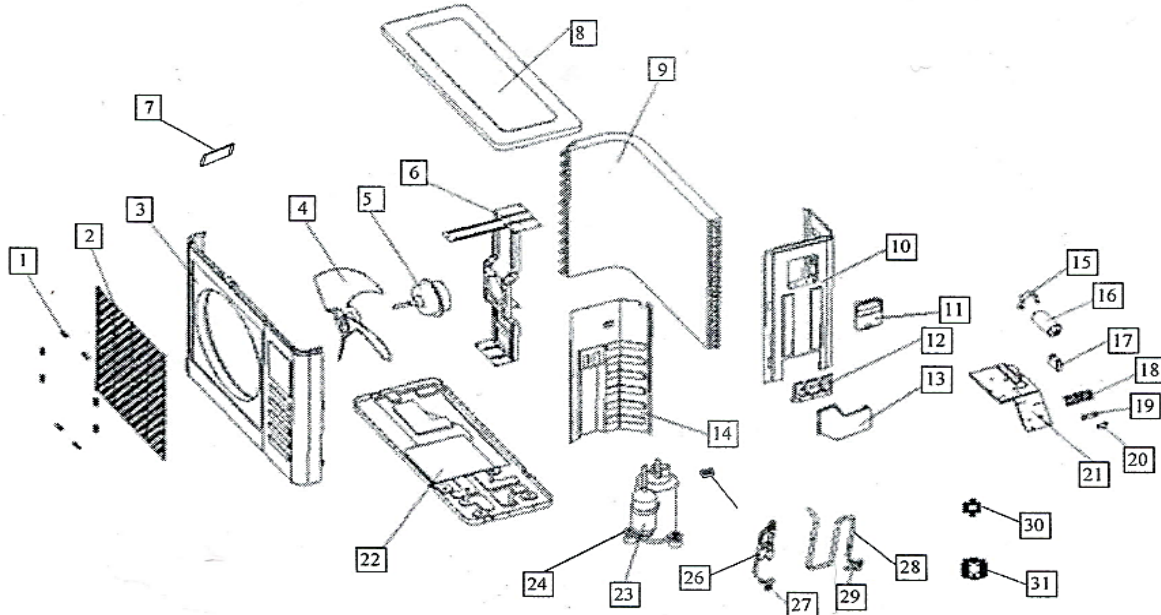
Indoor Unit



No.	Part Name	No.	Part Name
1	Front Panel	24	Installation Plate
2	Air Filter	25	Connecting Pipe Clamp
3	Screw Cap	26	Fan Motor
4	Panel Frame	27	Motor Cover
5	Air Cleaner	28	E-Part Box Cover
6	Air Cleaner Holder	29	Indicator Holder
7	Window for Reciever	30	Dislay Board, Ass'y
8	Indicator for LED	31	Display Board Enclosure
9	Horizontal Louver	32	Main Control Board
10	Vertical Louver		Program Chip
11	Air Out Frame	33	E-Parts Box
12	Louver Holder	34	Wire Clamp
13	Louver Rocker	35	Wire Joint, 5p
	Rocker Gasket	36	Remote Controller
14	Louver Motor	37	Holder, Remote Controller
15	Drain Hose	38	Copper Nut, TLM-A01
16	Evaporator Temp Sensor	39	Copper Nut, TLM-B02
17	Left Holder for Evaporator		
18	Evaporator		
19	Waterproof Board		
20	Bearing Holder		
21	Cross Flow Fan, Ass'y		
22	Chassis		
23	Back Cover for Chassis		

Exploded View Parts for Model: MCL09 115V, 60Hz

Outdoor Unit



No.	Part Name	No.	Part Name
1	Clamp for Front Net	25	Main Control Board Ass'y
2	Front Net	26	High Pressure Valve Ass'y
3	Front Clapboard	27	Liquid Pipe Valve
4	Propeller Fan	28	Low Pressure Valve Ass'y
5	Fan Motor	29	Low Pressure Valve
6	Holder for Fan Motor	30	Copper Nut, TLM-A01
7	Small Handle	31	Copper Nut, TLM-B02
8	Cover		
9	Condenser		
10	Right Clampboard		
11	Big Handle		
12	Installation Plate for Valves		
13	Water Collector		
14	Separating Board		
15	Capacitor Clamp		
16	Compressor Capacitor		
17	Fan Motor Capacitor		
18	Washer for Wire Joint		
19	Wire Joint		
20	Clamp for Wiring		
21	Installation Board for E-Parts		
22	Chassis		
23	Compressor		
24	Rubber Underlay for Compressor		