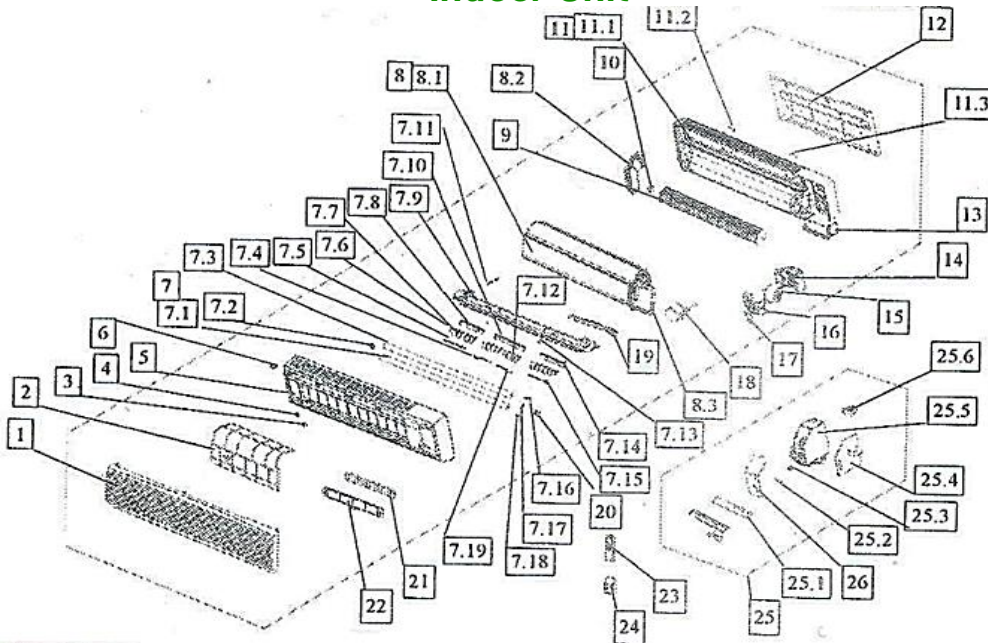


Exploded View Parts for Model: MCA18 220~230V, 60Hz

Indoor Unit

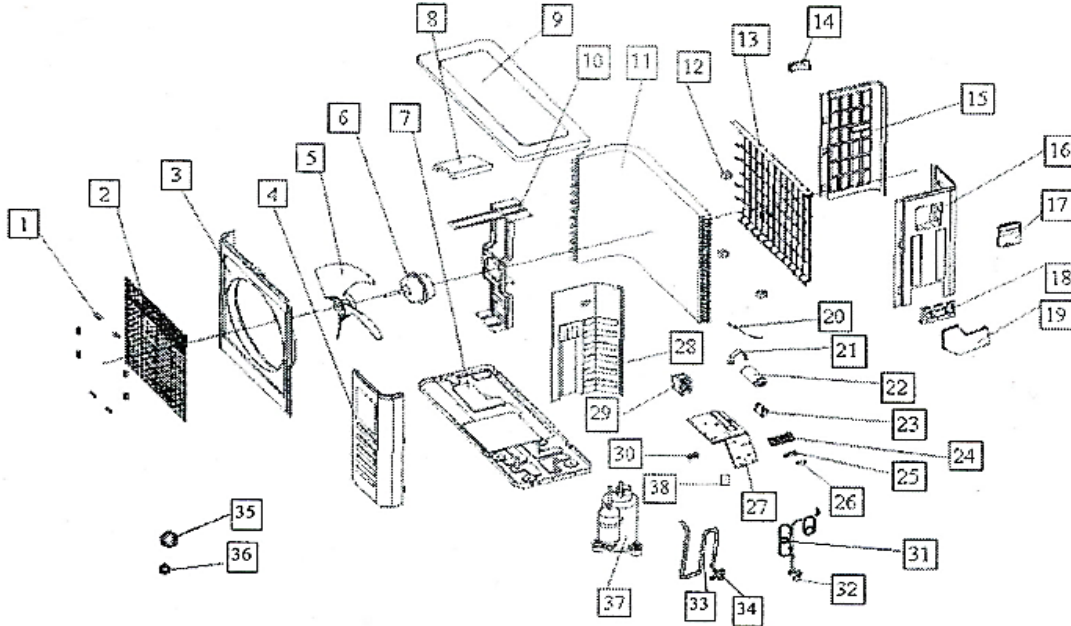


No.	Part Name	No.	Part Name
1	Front Panel	7.18	Swing Bar for Down Horizontal Louver
2	Air Filter	7.19	Louver Connector, Middle-Right
3	Screw Cap	8	Evaporator Assy'
4	Down Clap for Panel Frame	8.1	Evaporator I
5	Panel Frame		Evaporator II
6	Up Clap for Panel Frame		Evaporator III
7	Air Out Frame Assy'		Evaporator IV
7.1	Horizontal Louver, Down	8.2	Right Holder for Evaporator
7.2	Left Bush for Horizontal Louver		Left Holder for Evaporator
7.3	Horizontal Louver, Up	8.3	Input Pipe for Evaporator
7.4	Louver Connector, Middle-Left		Output Pipe for Evaporator
7.5	Louver Connector, Left	9	Cross Flow Fan, Assy'
7.6	Vertical Louver, Small Size	10	Bearing Holder
7.7	Vertical Louver, Large Size	11	Chassis Assy'
7.8	Louver Holder, Left	11.1	Chassis
7.9	Air Out Frame	11.2	Left Rear Cover for Chassis
7.10	Louver Holder, Middle	11.3	Right Rear Cover for Chassis
7.11	Stopples	12	Installation Plate
7.12	Vertical Louver, Middle Size	13	Corner Board for Chassis
7.13	Bush	14	Base for Motor
7.14	Vertical Holder, Right	15	Fan Motor
7.15	Louver Connector, Right	16	Cover for Motor
7.16	Swing Bar for Up Horizontal Louver	17	Small Cover for Motor
7.17	Connector for Horizontal Louver	18	Waterproof Board

19	Drain Hose
20	Louver Motor
21	Air Cleaner
22	Air Cleaner Holder
23	Remote Controller
24	Holder for Remote Controller
25	E-Parts Assy'
25.1	Display Board
25.2	Wire Joint, 4p
25.3	Wire Clamp
25.4	Main Control Board
25.5	E-Parts Box
25.6	Transformer
25.7	Indoor Temp Sensor
25.8	Evaporator Temp Sensor
26	E-Part Box Cover
27	Bottom Cover for E-Box
28	Clamp for Temp Sensor
29	Protector for Temp Sensor
30	Copper Nut, GLM-C03
31	Copper Nut, GLM-A01

Exploded View Parts for Model: MCA18 220~230V, 60Hz

Outdoor Unit



No.	Part Name	No.	Part Name
1	Clamp for Front Net	22	Right Clapboard
2	Front Net	23	Big Handle
3	Small Handle		Casing Pipe Link
4	Front Clapboard	24	Protective Cover
5	Propeller Fan		Cover
6	Fan Motor	25	Rear Net
7	Holder for Fan Motor	26	Copper Nut, TLM-A01
8	Chassis	27	Copper Nut, TLM-C03
9	Compressor		
10	Installation Plate for Valves		
11	Gas Pipe Valve		
12	Liquid Pipe Valve		
13	Fan Motor Capacitor		
14	E-Parts Installation Box		
	Installation Board for E-parts		
	Electric Control Box		
	Outdoor PCB		
15	Compressor Capacitor		
16	Capacitor Clamp		
17	Wire Joint		
18	Installation Board, Left		
19	Separating Board		
20	Condenser		
21	Water Collector		