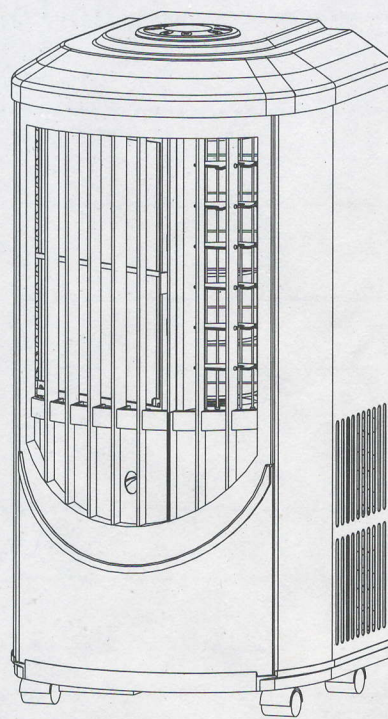
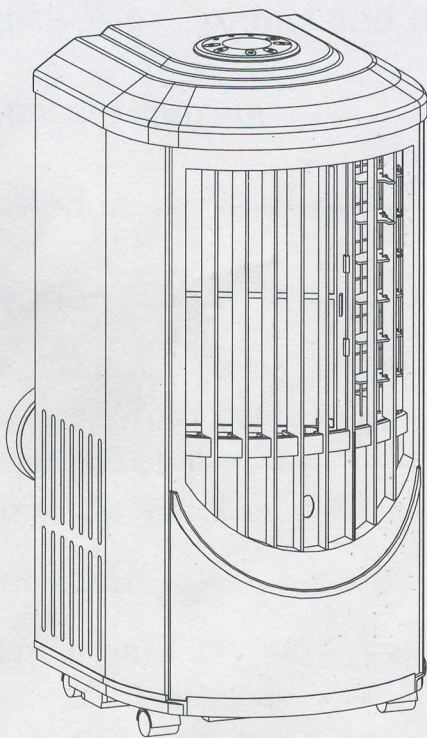


# MARCELL

## Instruction Manual

—For Portable Air Conditioner

Model: MP09-1 (KY-25Y)



# Index

<b>Introduction</b>	<b>3</b>
<b>Technical Specification</b>	<b>3</b>
<b>Suggestion for Your Using</b>	<b>3</b>
<b>Safety Rules</b>	<b>4</b>
<b>Unpack Your Product and the Parts of the Unit</b>	<b>5</b>
<b>Electrical Diagram</b>	<b>7</b>
<b>Installation</b>	<b>8</b>
<b>Operation</b>	<b>9</b>
-Control Panel and the Display	9
Operating With Control Panel	10
-Remote Control	11
-Operating With Remote Control	12
<b>Maintenance</b>	<b>14</b>
-Cleaning the Filter	15
-External Plastic Parts	15
-At the End of Cooling Season	15
<b>Troubleshooting</b>	<b>16</b>
<b>Guarantee</b>	<b>17</b>
<b>Service</b>	<b>18</b>

# Introduction

Thank you for purchasing our portable air conditioner. This unit is designed for improving living and working comfort by providing cooling, dehumidifying, fan-only and automatic operation mode with a very simple installation required. With its quiet operation and elegant appearance, you will enjoy its convenience and comfort.

This unit have provided with one hot-air outlet hose to outdoor. And usually this unit is designed for spot cooling. But also use to cool the room no large than 18sqm with standard ceiling height. This unit has Auto Restart function. When the power supply resume, the unit will automatically restart to run according to the set before power failure.

Please take the time to read this manual carefully that will help you enjoy the happiness and comfort completely. And after reading, keep these manual in a safe place for future reference, and together with the unit if another person is to use it.

## Technical Specification

Model	MP09-1(KY-25Y)
Electrical Power Supply	115Vac/60Hz
Cooling Capacity(W) [Btu]	2500 [8500]
Rated Power Consumption During Cooling	See nameplate
Dehumidifying capacity(L/H)	0.75
Refrigeration & Charged Quantity	R22 500g
Cooling Side Fan Speed	2 Speed
Airflow Circulation Volume (Cooling side) H/L	280/220m <sup>3</sup> /h
Noise Level	50dB(A)
Dimension(W*D*H)	356*351*798mm
Net. Weight	Appro.24.8 Kg
Max. Length of air inlet and outlet hose	1600mm
Programming Timer	0.5-24Hr
Remote Control	Optional
Recommended Room Size	12~18mm <sup>2</sup>

### **Remarks:**

1\The above data are obtained at conditioned:

Cooling condition: Dry bulb/Wet bulb: 95/83° F (35/28.3°C) according to American standard ANSI/ASHARE standard 128-2001

### **2\Operating Limits during Cooling**

Maximum Condition: Dry bulb/Wet bulb: 104/80 ° F (40/26.7°C)

Minimum Condition: Dry bulb/Wet bulb:64.4/57.2° F (18/14°C)

## Suggestion for Your Using

This portable air conditioner has been designed to create ideal climate in your room. Use it only for this specific purpose and according to the instruction in this manual.

Read carefully and obey the following safety rules, that will help you easy and happy use this unit.

This unit has been designed to be used in the room only, not for outdoor.

Please use the unit in the recommended room size. (Refer to SPECIFICATON)

Do not locate the air conditioner where furniture or other object can obstruct the cooling airflow.

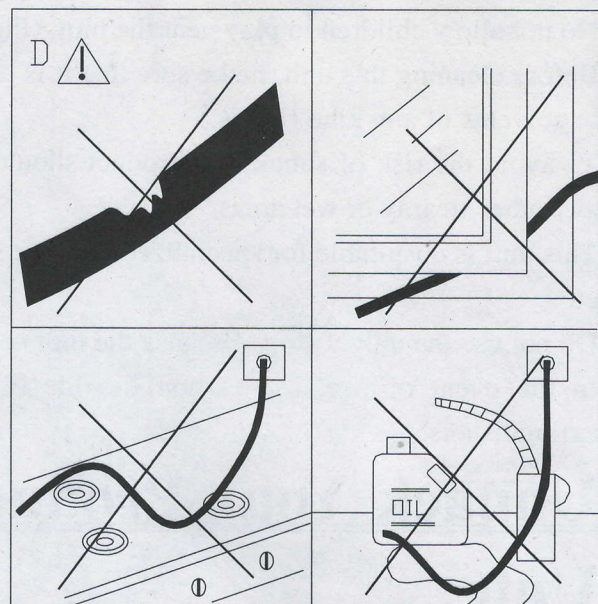
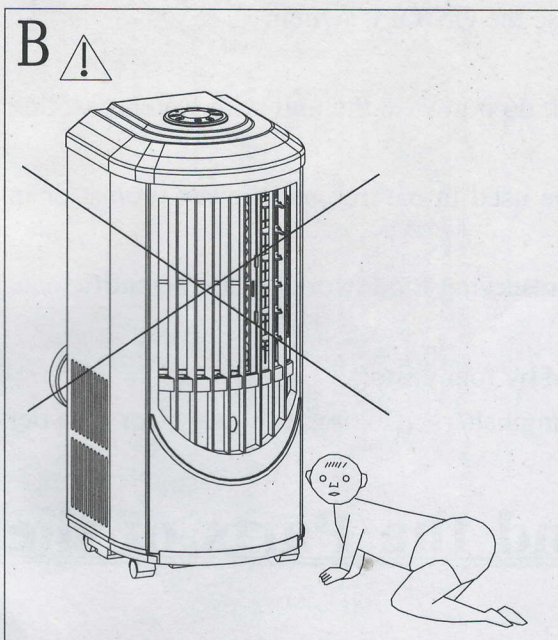
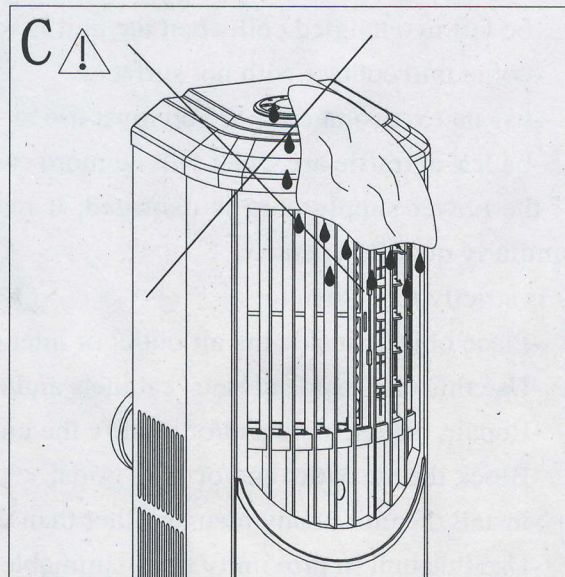
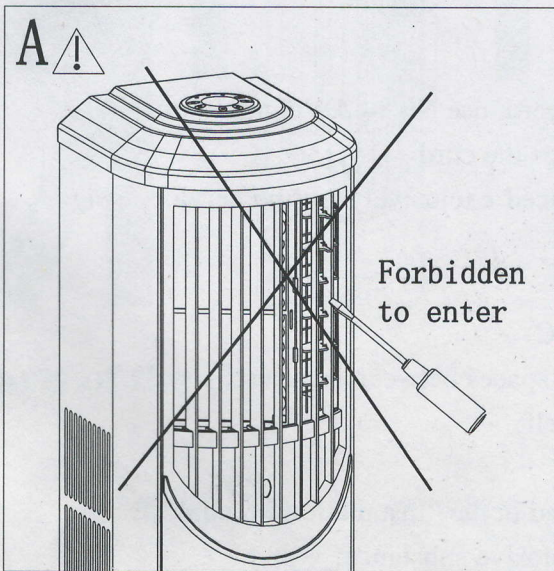
Keep blinds/curtain closed during the sunniest part of the day.

Keep the filter clean.

Set the unit to maximum cooling and high fan initially, and then adjust the unit to a comfortable setting.

Note: It is recommended to turn on the air conditioner when the room temperature is around 75 Fahrenheit. Do not wait until the room is excessively hot.

## Safety Rules



The connection to the main electricity supply must comply with current safety regulations in your

country for installation of home appliance.

You must connect this portable air conditioner to a socket that:

- corresponds to the plug fitted on the unit
- is of suitable dimensions for the maximum current absorbed
- is connected to an efficient earthing system.
- be sure the plug is fully inserted into the receptacle;

The power cable (Fig. D) must not:

- Come into contact with liquid of any kind; danger of electric shock and/or fire;
- be squeezed and/or come into contact with sharp surface;
- be used to drag the unit;
- be used if damaged;
- be handled with damp or wet hands;
- be left in a tangled coil when the unit is working;
- come into contact with hot surface;
- use an extension cord; if you must use an extension cord, use No.14 AWG minimum size;
- be left at traffic area, that will be more easy to damage the cord

If the power supply cord is damaged, it must be replaced exclusively by the service agent or a similarly qualified person.

It is strictly forbidden to:

- Place objects inside the air outlet or inlet grids (Fig. C)
- Use this unit inside closets, cabinets and/or cramped spaces between furniture;
- Repair, disassemble and/or modify the unit by yourself;
- Block the air outlet and/or inlet grids;
- install the unit in any manner other than that described in the "Installation Manual";
- Use this unit in proximity to inflammable and/or explosive substance;
- Operate this unit without filters;
- Turn this unit on and off by using the plug; always use the ON/OFF switch.

Do not allow children to play near the unit. (Fig. B)

Before cleaning this unit, make sure that it is unplugged; do not wash the unit with water, gasoline or solvents of any kind (Fig. C)

To avoid the risk of shock, the product should never be used in bathrooms, shower rooms, or in any other steamy or wet areas.

This unit is unsuitable for specialized purpose such as preserving food, works of art, scientific data etc.

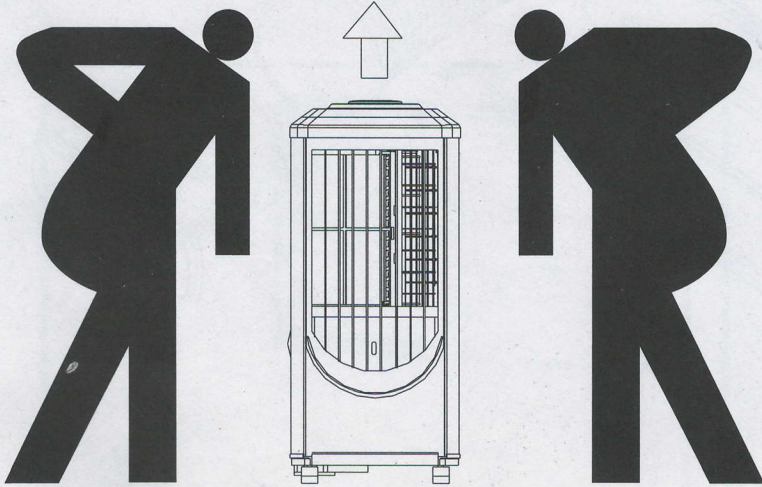
Do not use the unit at slope because the unit is supported by four castors.

In the event of fire, use carbon dioxide (CO<sub>2</sub>) extinguishers. Do not use water or powder extinguishers.

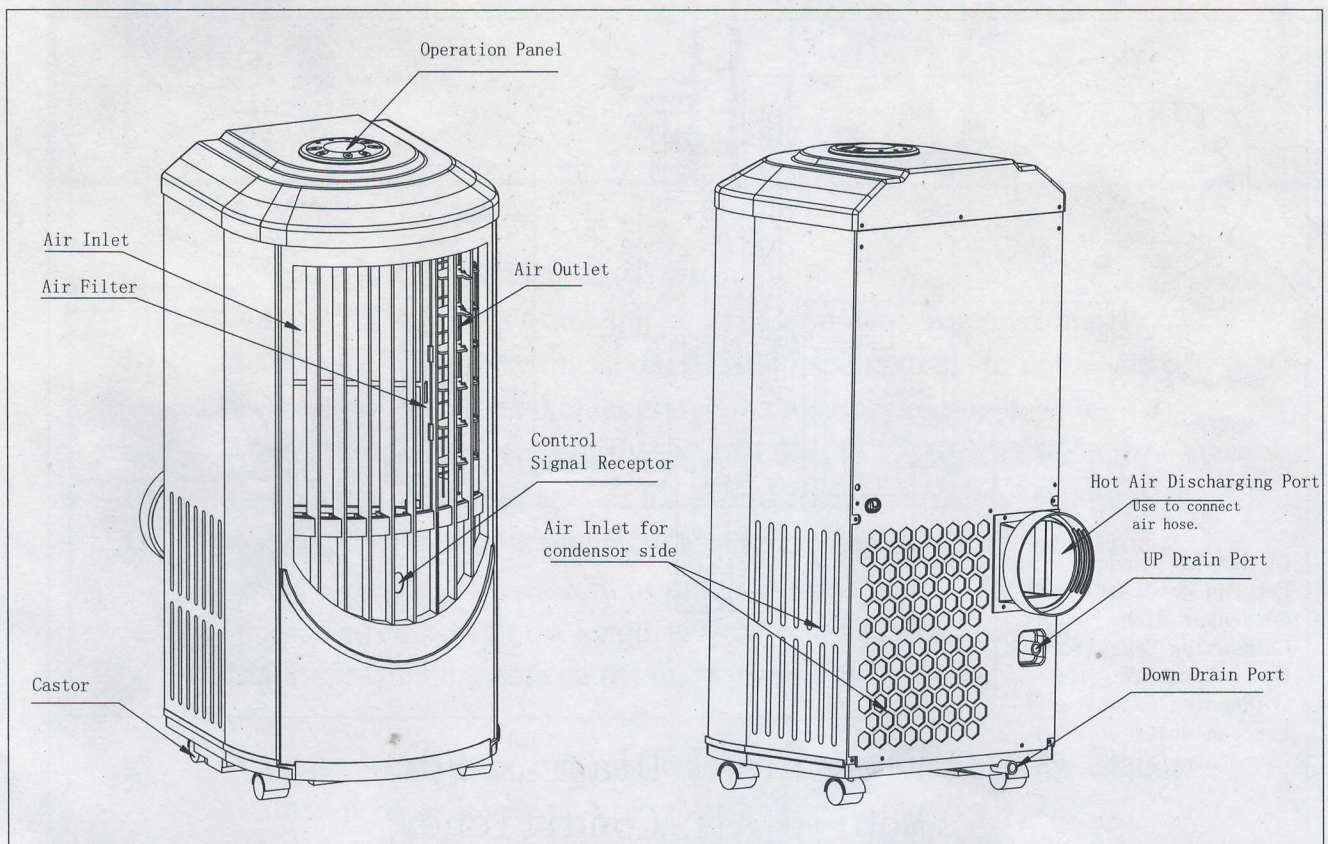
## **Unpack Your Product and the Parts of the Unit**

When you get this unit, please transport the product in an upright position only, and place the product on an even surface. Then remove the cardboard box without turning it upside down, or laying it on its side.

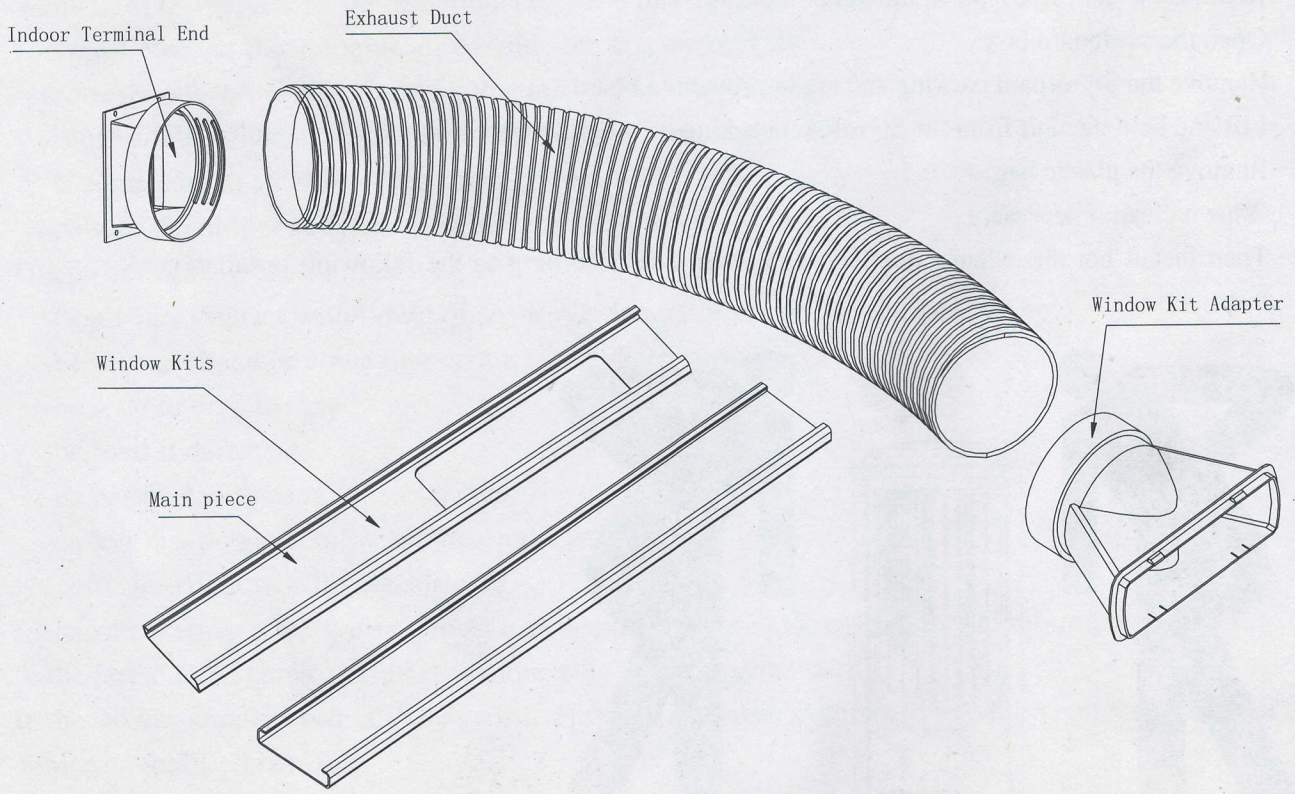
- a. Remove the adhesive tape on the top of the cardboard box..
- b. Open the cardboard box.
- c. Remove the Styrofoam packing and angle-protection board.
- d. Lift and held the unit from the Styrofoam packing base by two people without being tilted.
- e. Remove the plastic bag.
- f. Wipe it clean if necessary.
- g. Then install hot air exhaust duct for condenser side according to the following installation instruction.



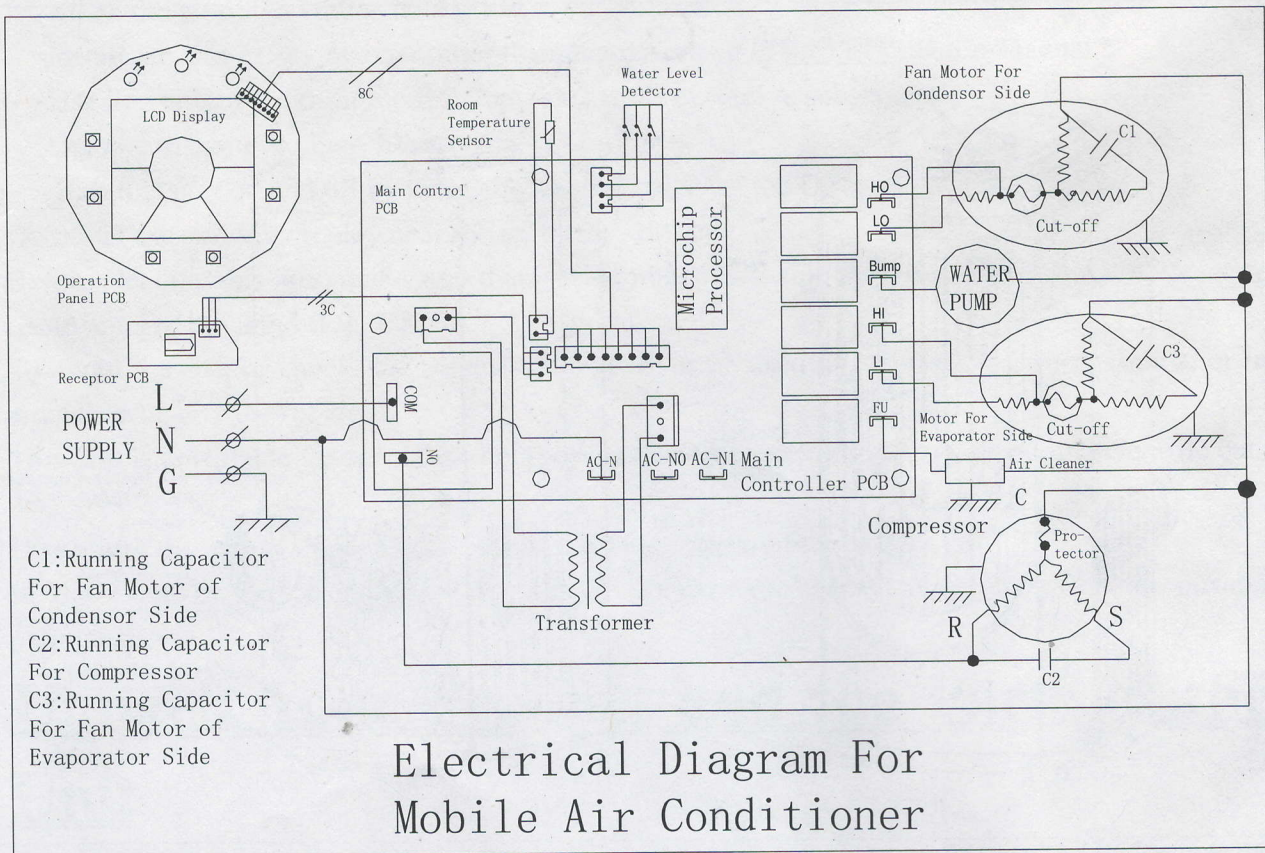
## Parts of the Unit



## Accessories



## Electrical Diagram



Electrical Diagram For Mobile Air Conditioner

# Installation

When you use the unit as an air conditioner or a dehumidifier, the hot air must be exhausted out of the room to complete the air exchange of the condenser. When the unit is operating on fan, no outdoor air exchange takes place. You do not need to hookup the window kits and hot air exhaust ducts when you use the unit as a fan.

## Install the Ducts on the window

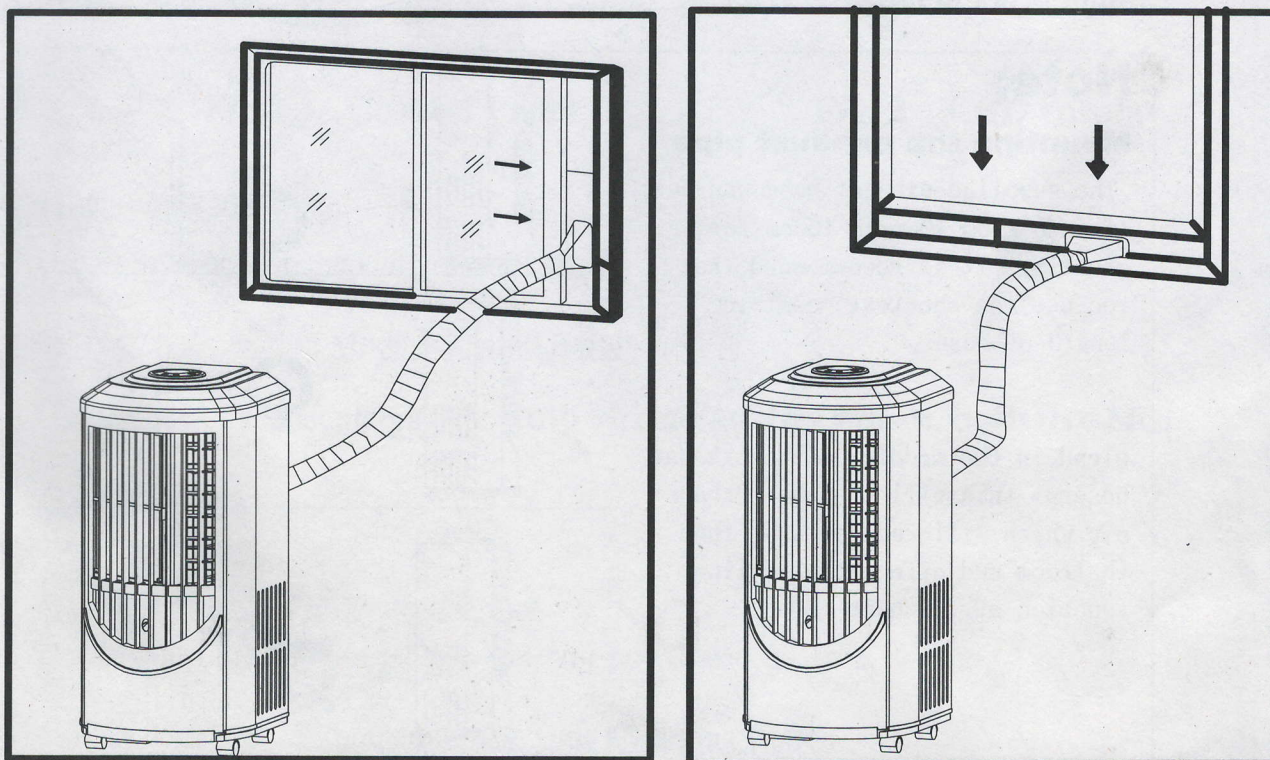


Figure: Install the ducts to the window

- a) Pull out of both ends of the hot air exhaust ducts for approximately 6".
- b) Screw clockwise the exhaust ducts with one end to the terminal end of the back of the unit and other end to the window kit adapter.
- c) Mount the terminal ends of the exhaust duct to the back of the unit.
- d) Open window or sliding door for approximately 5 inches (130 mm)
- f) Adjust the length of the window kit to the same length of the window or the sliding door. Use all of panels if necessary. Cut the window piece as needed to fit the length of your window or sliding door. Make sure that the hole on the main piece is not covered by other pieces.
- g) Place the window kit to the window or sliding door. Close the window or door as far as it goes.
- h) Adjust the lengths of exhaust duct and affix the window kit adapters onto the holes on the window kit.

NOTE: When using the window kit on a window or sliding door it will cause

the window or sliding door not to be properly closed and locked. Additional security measurements should be taken

## Install the Ducts on the Wall

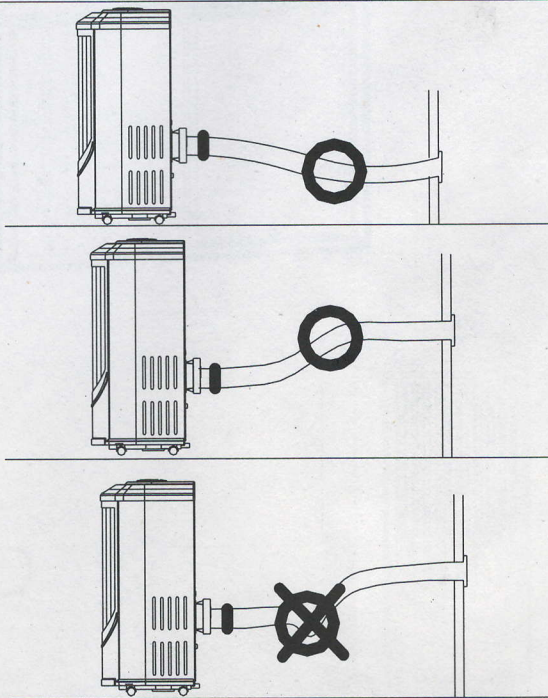
- 1) No need to use window kit adapter. Mount the one end of the exhaust ducts onto holes of 5.6" on the wall, another end to the back of the unit same as above.
- 2) Using exhaust outlet wall covers to cover the holes in the wall when the unit is not in use.

### Note:

#### Mounting the exhaust pipe

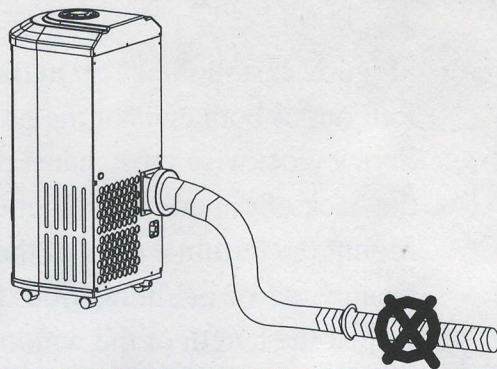
The supplied exhaust hose can be extended from 40cm to 160cm for mounting. It is recommended that you use the shortest possible length of hose.

Take care to prevent any kink or bend in the middle of the exhaust hose, as this will trap hot exhaust air, which will radiate back into the room and effect the cooling function of the unit.



### Warning!

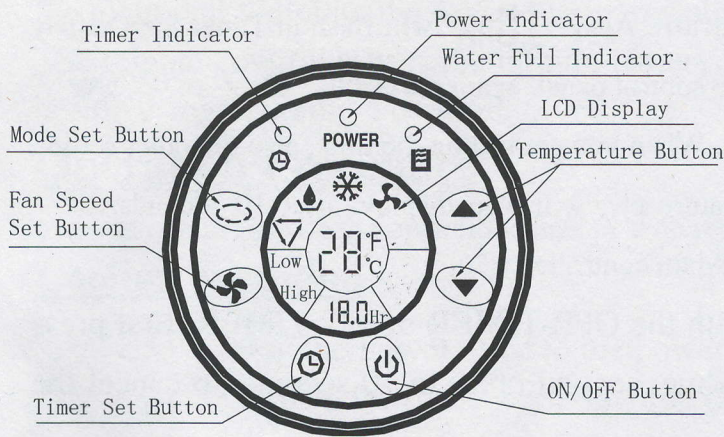
The length of the exhaust pipe is specially designed according to the specification of this product. Do not replace or extend it with your own hose as this could cause the unit to malfunction.



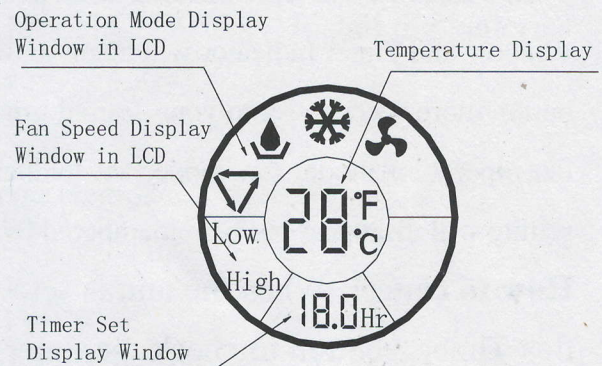
After installing the ducts, then pull the power supply cable from the down back side of the unit, and prepare to run the unit.

## Operation


### Control Panel and its LCD Display



**Fig.1 Control Panel**



**Fig.2 LCD Display**

1)  : On/Off Button



Use to Start or Stop the Unit

2)  : Operation Mode Selection Button

Use to select the operation mode: **Auto Mode**, **Fan-Only Mode**, **Soft-Dry Mode**, and **Cooling Mode**.

3)  : Fan Speed Selection Button


Use to select the fan speed: High speed or Low speed.

4)  Or  : Temperature or Time Changing Button

Use these two buttons to set to your desired temperature.



The temperature unit can be Fahrenheit or Centigrade. Press the ON/OFF Button for more than 20 seconds, then release, then the temperature unit will be changed.

During the timer setting, the buttons are also used to change the time .

5)  : Timer setting or Canceling Button

Use to set or cancel ON-TIMER or OFF-TIMER timer. When the unit is on, the unit can be set with OFF-Timer. And when the unit is off, the unit can be set with ON-Timer.

**How to set:**






When the unit is on, press this Timer button, “3.0Hr” will flash in Timer Set Display Window and Timer Indicator will be on in the control panel. Press “” or “” button more times, the flashing digit will change till your desired delay time appear. After 10 seconds of no pressing, the Digit will change to display invariably. And with time passed, the digit will decrease by 0.1Hr.

When the unit is off, if the unit hasn't been set with ON-TIMER, then press this

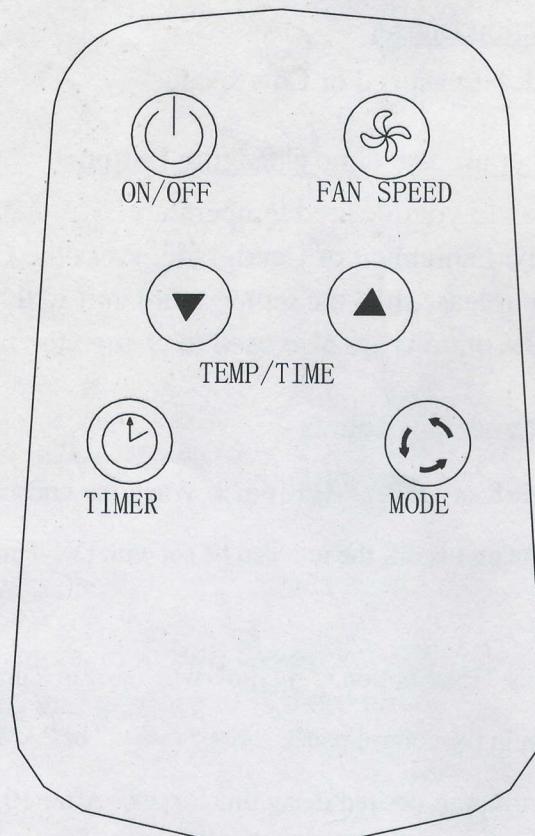
Timer button, the unit enter Timer program. Also “3.0Hr” will flash in Timer Set Display Window and Timer Indicator will be on in the control panel, again press “▲” or “▼” button more times to set to your desired time. When you are setting the time, also the other setting like operation mode, fan mode, set temperature etc. will also display, after 10 seconds, these setting will disappear but be remembered by Main controller.

**How to cancel:** When the unit is set with the OFF-TIMER or ON-TIMER, first press this Timer button to check the timer time, second press in 10 seconds to cancel the timer setting.

### Signal on the LCD displaying panel

- |   |               |   |                      |
|---|---------------|---|----------------------|
|  | Auto mode     | °F  | Fahrenheit temp      |
|  | Soft-dry mode | °C  | Centigrade temp      |
|  | Cooling mode  |  | Water-Full Indicator |
|  | Fan-only mode |   |                      |

### Remote Controller (Optional)



**Fig. Remote Controller**

Six buttons on the remote controller are same as the buttons on the control panel of

the main unit individually. And will not explain it again.

The remote controller uses the lithium battery (Model:CR2025). Install the batteries before using the remote controller.

## **Operation Procedure**

You can operate it with the operation panel or with remote controller.

### **Cooling operation**

- 1) Plug the Power Cord to the power outlet.
- 2) Turn on the unit by pressing the ON/OFF button .
- 3) Press Mode Button until signal “❄” appears on the display
- 4) Set the room temperature to your desired room temperature with Temperature Changing Button.

The temperature ranges from 64°F-90°F (18° C - 32 °C),  
Recommend: 80-84°F (27 °C-29 °C)

- 5) Select the fan speed by pressing the Fan Button.

### **Soft-Dry Operation**

- 1) Plug the Power Cord to the power outlet.
- 2) Turn on the unit by pressing the ON/OFF Button on the control panel.
- 3) Press the Mode Button until the signal “💧” appears on the display.
- 4) Set the room temperature to an appropriate temperature.

Keep the windows and the doors closed to aid the effectiveness of the unit in removing the moisture from the room.

NOTE: The unit will not perform dehumidifying when the room temperature is lower than 64° F (18° C).

Soft-Dry is a very gentle cooling operation consisting primarily of dehumidifying. It will not lower the room temperature very much.

The indoor unit Fan always runs at Low speed.

### **Fan-only Operation**

- 1) Plug the Power Cord to the power outlet.
- 2) Turn on the unit by pressing the ON/OFF Button on the control panel.
- 3) Press the Mode Button until signal “🌀” appears on the display.
- 4) Select the fan speed by pressing the Fan Speed Button.

When at Fan-only mode, exhaust duct is no need, and the compressor and condenser side fan motor will not work.

Temperature setting is no meaning and no controlling action.

### **Auto Operation**

- 1) Plug the Power Cord to the power outlet.

- 2) Turn on the unit by pressing the ON/OFF Button on the control panel.
- 3) Press the Mode Button until the signal “▽” appears on the display.
- 4) Set the room temperature to your desired room temperature with Temperature Changing Button.
- 5) Select the fan speed by using FAN button.

During the AUTO mode, the unit will be at Fan-Only mode when the room temperature is below 81 °F (27 °C). And it will operate at cooling mode when the room temperature is above 81 °F.

## Timer Setting Procedure

### ON-TIMER program setting

How to set

When the unit is off, you can set to let the unit start after some hours.

- 1) Press the “⌚” button on the control panel or remote controller. Now “3.0Hr” will flash in Timer Set Display Window, and the Timer Indicator on the control panel will lit on.

**The other setting like operation mode, fan mode, set temperature etc. will also display, let you to change or set.**

- 2) Press “▲” or “▼” button to change the Timer delay time to your desired number.
- 3) After 10 seconds of no pressing, the Digit will change to display invariably. And the other setting will disappear. Now the Timer Setting Process is completed. And with time passed, the digit will decrease by 0.1Hr.

**When the digit decrease to ZERO and disappear, the unit will start to run automatically according to your setting.**

How to cancel

When the unit is set with ON-TIMER while off-state, press “⌚” button to check the Timer setting and the Time Digit will flash. Press “⌚” button again, the Timer Setting will be canceled. And the Timer Indicator on the control panel will turn off.

### OFF-TIMER program setting



How to set

**When the unit is on, after set with the OFF-TIMER, the unit will stop after your set delay time.**

- 1) Press the “⌚” Timer button on the control panel or remote controller. Now “3.0Hr” will flash in Timer Set Display Window, and the Timer Indicator on the control panel will lit on
- 2) Press “▲” or “▼” button to change the Timer delay time to your desired number.
- 3) After 10 seconds of no pressing, the Digit will change to display invariably. Now the Timer

Setting Process is completed. And with time passed, the digit will decrease by 0.1Hr.

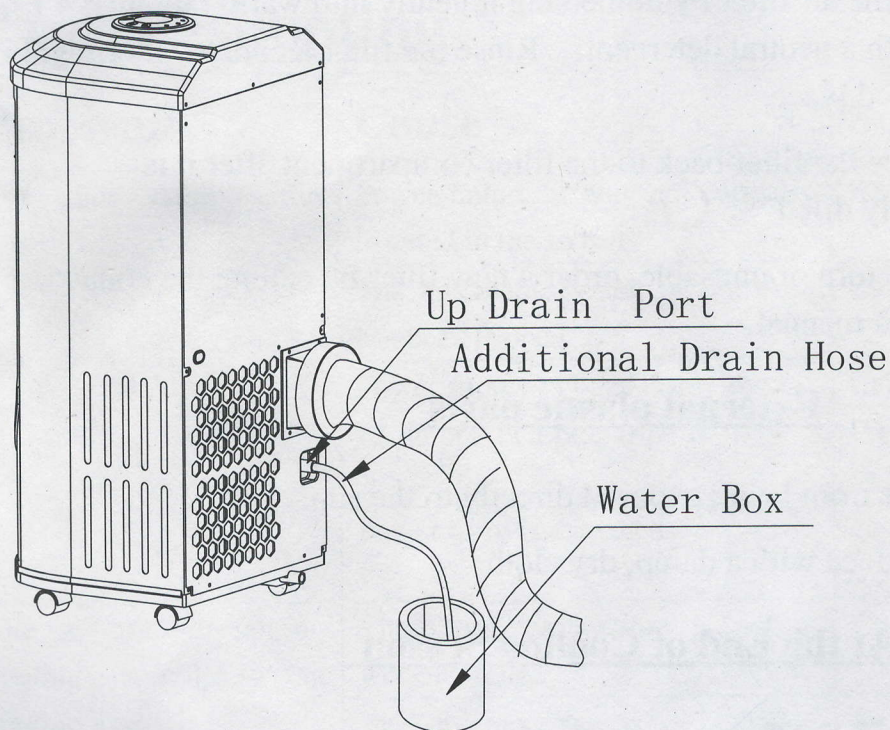
How to cancel

When the unit is set with OFF-TIMER while the unit is on, first press “” button to check the Timer setting and the Time Digit will flash. Press “” button again, the Timer Setting will be canceled. And the Timer Indicator on the control panel will turn off.

## Water Full Indication

Usually, this indicator will not be on. But may be at very wet day, when during at cooling mode or soft-dry mode, when the water full indicator turn on, means that the water is full. The compressor will stop working, but both of two fan motor will continue working. If you not willing to empty the water by yourself, you need to wait some moment to drain out the water. Till the indicator disappears, the compressor will start to work again.

**Drain out the water by yourself:**



First stop the unit, connect an additional drain hose to up drain port at the back of the unit according to the above figure. Then turn on the unit by press ON/OFF button. Then the water pump inside the unit will work, the water will be drained out of the unit. Until the water does not flow out of the unit, then discharge the additional drain hose and reinstall the drain cap. And with the water flowing out, the water full indicator will turn off and the compressor will work again.

## Maintenance

---



Make sure power supply is switched off and the plug is pulled out of the power outlet before performing any maintenance activities.

Do not immerse the unit in water or other liquids.

Do not pour liquids into the unit.

Take special precaution to avoid the sharp cutting edges of some parts.

---

### **Clean or replace filter**

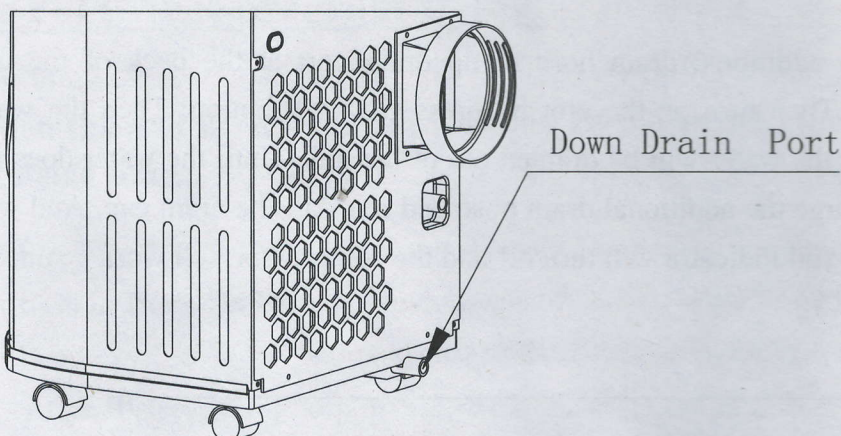
If the air filter is blocked with a lot of dust, the airflow volume will reduce and the cooling effect will lower. It is recommended to clean the filter once every two weeks or as needed.

- a) Pull out the filter from the filter compartment in front of the unit.
  - b) Wash the air filter by immersing it gently into warm (about 104 F) water with a neutral detergent. Rinse the filter and dry it thoroughly in a shaded place.
  - c) Replace the filter back to the filter compartment after it is thoroughly dried.
- b) If the filter is torn or unusable, order a new filter by calling the contact section of this manual.

### **External plastic parts**

- a) Keep the unit from being exposed directly to the sun.
- b) Clean the surface with a damp, dry cloth.


### **At the End of Cooling Season**



- a) On a warm day, turn on the unit at Fan-Only mode for a couple hours so that the inside can dry out completely.
- b) Shut off the unit and pull out the power supply plug.
- c) Empty the residual condensate water by unplugging the down water drainage cap at the back towards the bottom of the unit
- d) Discharge the Hot air ducts and shorten it and package in the box.
- e) Clean the filters and dry it completely before fitting back in place.
- f) Cover the appliance to protect it from dust. It is recommended that the unit can put back into its original cartoon and package.
- g) The unit should be stored in a cool dry place. And do not stack heavy objects on the top.

## Troubleshooting

<b>Problem</b>	<b>Cause</b>	<b>Solution</b>
The unit doesn't run completely	Power failure or plug not correctly inserted in the socket	Restore the power supply
	The automatic switch or line fuse has been tripped	Call your electrician
	Power supply voltage is too low	Call your electrician
	LCDI or AFCI plug trip off	Press the RESET button on the LCDI or AFCI plug.
	Power Cord is damaged	Call the service man to change the power cord
The unit has only fan, no cooling completely at cooling mode	The room temperature is not at working range	Check your room temperature
	The set temperature is too high	Re-set the temperature to more lower
	Water in the unit is full	Check the water-full indicator and empty the water or wait more moments to let the compressor work again.
The unit seems do a little or do not cool quickly	The filter is dirty and obstructed	Clean the filer
	Evaporator side air through is blocked	Remove the block

	The air intake and outlet ducts of the condenser side are obstructed	Check the hot air ducts
	There is direct sunshine	Close the curtain or blinds
	The unit is set at dehumidifying mode	Set at cooling mode
	Set at low fan speed	Re-set the fan speed at High speed
The unit has worked for long time, but The room is not cold enough	Windows or doors are open.	Close all of the windows and doors when the unit is working
	Too many people in the room	Turn on other cooling unit.
	Something else produce a lot of heat	Turn off the product.
	The room's insulation is not very good, such as sunroom, garages, attics etc.	Check it.
Too noisy	The unit is not evenly	Place the unit evenly
	The floor underneath the unit is uneven	Change the position.
The unit stop cooling suddenly, only the fan work and the Water-Full indicator “  ” display on the display of the control panel.	The environment is too wet, the condenser water in the unit is full	Empty the water inside the unit, Connect a pipe to the up drain port(refer to drawing in PARTS Of Unit) at the back of the unit then restart the unit. Wait a long time to let condenser side fan blow out the water (this maybe take 1 hour)

## Guarantee

### ONE YEAR LIMITED WARRANTY

The manufacturer warrants the accompanying this Portable Air Conditioner to be free of defects in material and workmanship for the applications specified in its operation instruction for a period of ONE (1) year from the date of original retail purchase in the United States or Canada.

If the air conditioner exhibits a defect in normal use, we will, at its option, either repair or replace it, free of charge within a reasonable time after the air conditioner is returned during the warranty period.

As a condition to any warranty service obligation, the consumer must present this Warranty Certificate along with a copy of the original purchase invoice.

## THIS WARRANTY DOES NOT COVER:

- 1) Damage, accidental or other wise, to the air conditioner while in the possession of a consumer not caused by a defect in material or workmanship;
- 2) Damage caused by consumer misuse, tampering, or failure to follow the care and special handling provisions in the instructions.
- 3) Damage to the finish of the case, or other appearance parts caused by wear.
- 4) Filter.
- 5) Damage caused by repairs or alterations of the air conditioner by anyone other than authorized by the manufacturer.
- 6) Freight and Insurance cost for the warranty service.

## Service after Sale

### Contact:

If you have some question, please do not return this product to the store first, simply call our customer service department for any question and check it.